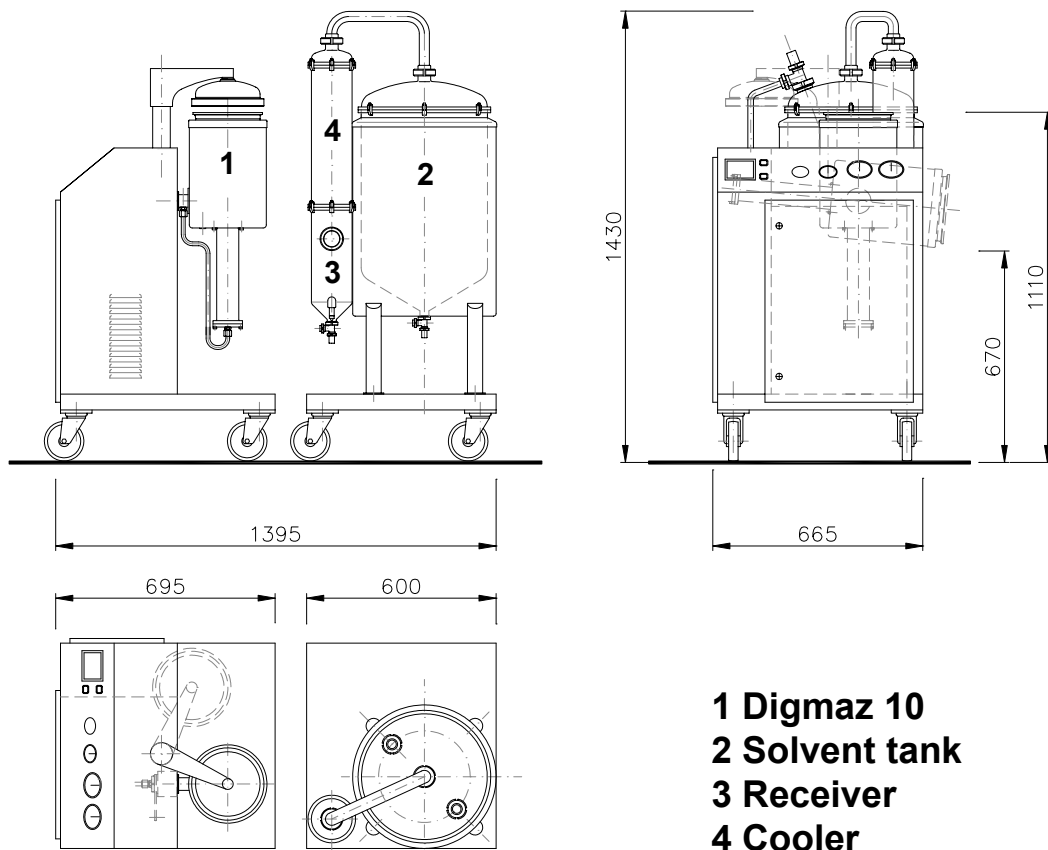


## TECHNICAL DATA

### TYPE: DIG-MAZ 10 Vacuum



Type:	DIG-MAZ 10	
<b>Extraction tank:</b>	10 liters	Herbs volume
<b>Solvent tank:</b>	60 liters	
<b>Heating:</b>	20 kW	electrical
<b>Refrigeration:</b>	12 kW	electrical
<b>Distillate:</b>	20 liters / h	
<b>Compressed air:</b>	6 bar	1 m <sup>3</sup> / h
<b>Power supply:</b>	3x400 V / 50 Hz	
<b>Power consumption:</b>	32 kW	
<b>Compressing pressure:</b>	200 kg	pneumatic
<b>Weight:</b>	120 kg	